

©KenzFigee 2020

Impact Limiter Device (ILD) Shock Absorber on cranes

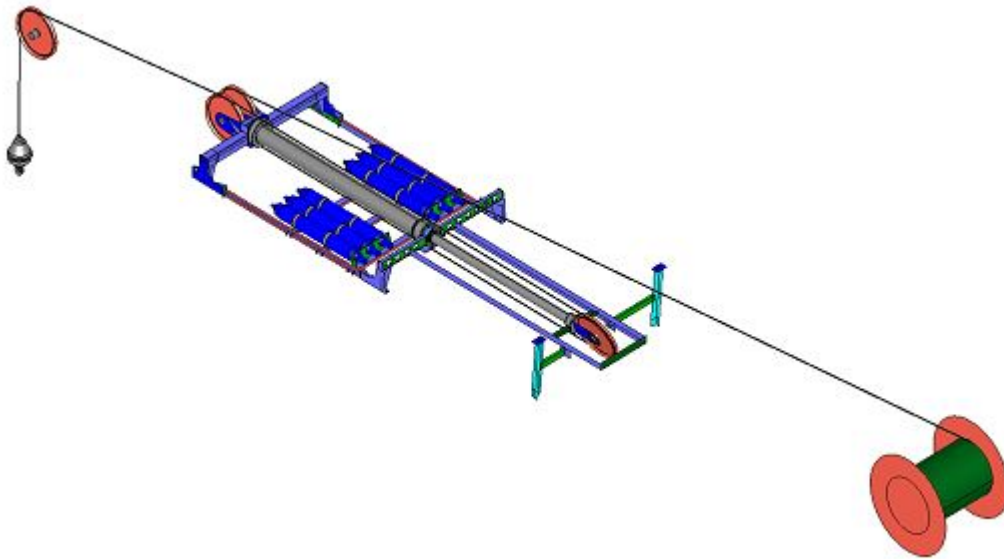
REDUCE THE IMPACT ON YOUR CRANE & LOAD AND SIMULTANEOUSLY INCREASE YOUR CRANE CAPACITY!

The impact limiter device (ILD) is a shock absorber to reduce the impact on the crane and load. This feature consists of a double acting hydraulic pre-tensioned cylinder which is situated on the crane boom and has a wire rope sheave attached to the rod. The cylinder will be retracted in case a significant shock load occurs during the process of lifting a load from a supply boat.

The ILC can be manufactured according Class requirements including Failure Mode and Effect analysis (FMEA). For FRC (Fast Rescue Craft) handling the ILD will comply with the latest SOLAS regulations and class requirements for launching and recovery of rescue boats. Pre-tensioning can be obtained by nitrogen pressure. The ILD is suitable for any type of crane boom and has a total weight of 4.1 tons.

WE HELP TO IMPROVE YOUR SAFETY & PRODUCTIVITY

HOW DOES IT WORK?



ADVANTAGES IMPACT LIMITER DEVICE

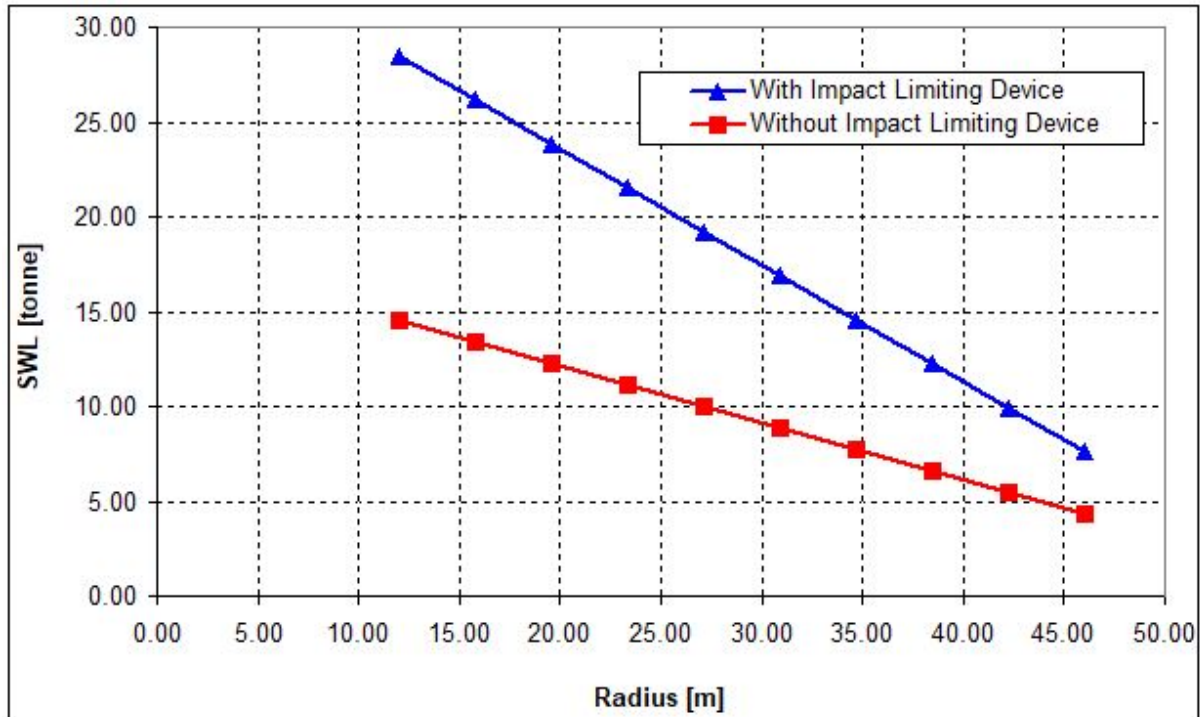
- Will enhance crane performance by lifting more from a supply boat in a higher sea-state
- Reduction of load impact on the structural and mechanical equipment of the crane
- Can be used to lower Fast Rescue Craft (FRC) from an offshore installation on a safe manner. This device ensures a secured and mild impact on the FRC during recovery
- The pre-tensioned cylinder will be incorporated in the existing rope system of the crane
- This self-contained light weighted device (4.1 ton) can be installed easily on every type of crane boom (box boom as well as lattice boom)

REFERENCES

- 30t crane for Lasmø, Markham J6A platform
- 24t crane for Amec/Shell Expro, Shell Brent Charlie platform
- 22t crane for Gaz de France, L10-AD platform
- 4 existing cranes (up to 75t) for Stolt Offshore, LB200 pipe lay barge
- 85t crane for Aker Kvaerner, H6 drilling rig



PERFORMANCES



Almost 100% increase of crane capacity!

WHAT CAN WE OFFER YOU?

KenzFigee offers a high level of expertise and flexibility to meet clients' requirements and beyond:

- Capability to design a tailor made Impact Limiter Device (ILD)
- Experienced with designing Impact Limited Devices to clients specification on every crane type
- Well-trained team of multi-skilled technicians for smooth and efficient installation of the ILD
- Own qualified multi-skilled service engineers provide 24/7 global services

INTERESTED?

Can we help you to reduce the impact on your crane and load, and substantially increase your crane capacity? Please contact us at service@kenzfigee.com or +31 75 618 425 and we will be happy to discuss your needs and inform you accordingly.