

©KenzFigee 2020-01\_MOD\_E\_30-60/2500\_OS

## Offshore Cranes Special Purpose Crane

THE KENZFIGEE SPECIAL PURPOSE DERRICK CRANE IS SPECIFICALLY DESIGNED TO WORK AS A TEMPORARY CRANE IN OFFSHORE ENVIRONMENTS. THE BASE VERSION HAS 30 TONNES LIFTING CAPACITY AND IS SCALABLE TO 60 TONNES. THE CRANE IS A FULLY ELECTRIC OFFSHORE CRANE WHICH EMPLOYS A WINCH FOR LUFFING AND HOISTING; SLEWING IS DONE ELECTRICALLY.

It is assembled in various modular parts, consisting of the crane base, multiple boom, truss sections, winches, drives and cabinets.

This crane is designed to be autonomously erected and can be powered electrically. Foundations for a wide variety of applications can be provided with this crane.

The crane can be mobilized from/to the platform on a vessel's deck or standard in ISO offshore containers.

## PERFORMANCE

<b>Lifting/Load Capacity</b>	Based on steel wire rope		
Lift height	37 m		
Main hoist (DWL)	6-fall (30t)	2x 6-fall (60t)	
Maximum load	30t @ 9 m (on board)	60t @ 9 m (on board)	
	27.5t @ 9 m (off board)	55t @ 9 m (off board)	
Load @ maximum reach	15t @ 18 m (on board)	30t @ 18 m (on board)	
	10t @ 18 m (off board)	20t @ 18 m (off board)	
<b>Hoisting (hook) speeds</b>	Variable load dependent speed, step-less from zero to maximum		
Main hoist (DWL)	6-fall		
Maximum speed @ maximum SWL	7.0 m/min		
Minimum speed (fine adjustment)	0.6 m/min		
<b>Slewing</b>			
Slewing range	Limited 220°		
<b>Luffing</b>	Luffing winch		
Minimum reach	3.5 m	18 m	extendable @ reduced capacity

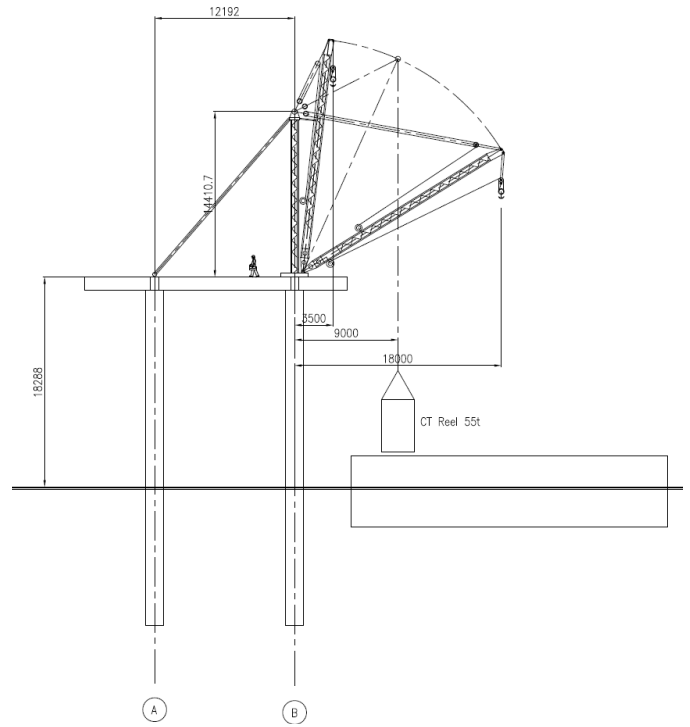
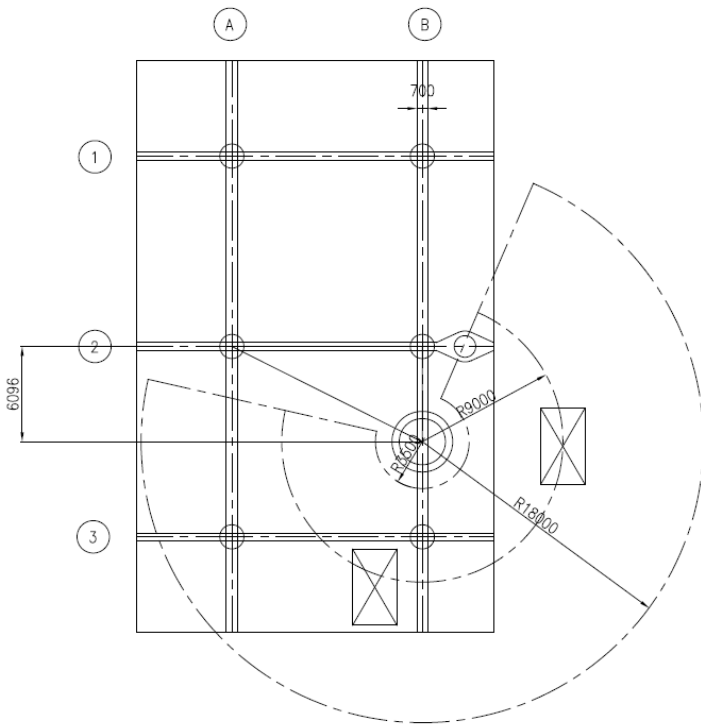
## DESIGN CRITERIA

<b>Design</b>	According to API 2c 7 <sup>th</sup> edition		
Operational temperature	-20° C to +55° C		
Design wave height (off board lifts)	Hs = 1 m		

## INTERFACE DATA

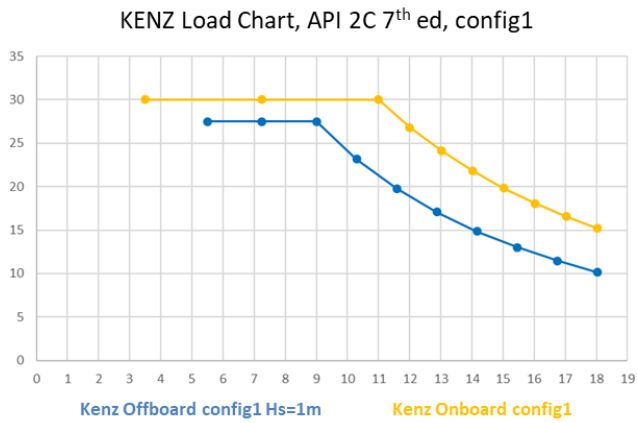
<b>Crane control</b>	Via remote control		
<b>Nominal</b>	Config. 1	Config. 2	
Crane elements	Max 2.5 t		
Total crane (+/- 10%)	19 t	25 t	excluding foundations
<b>Power unit</b>	Variable Frequency Drive		
<b>Main power</b>	Winch	Slewing	Luffing
	1x 30kw/boom	2x 4kW	1x 25kW
<b>Utilities</b>	Power and signals via cable loop		
<b>Main power</b>	From platform		
	440V / 60Hz, 3-ph		

# OVERALL DIMENSIONS



# LOAD RADIUS CAPACITY

30t Special Purpose Crane



60t Special Purpose Crane

